

REMARKS

At the outset, the Examiner is thanked for the thorough review and consideration of the pending application. The Office Action dated November 20, 2006, has been received and its contents carefully reviewed.

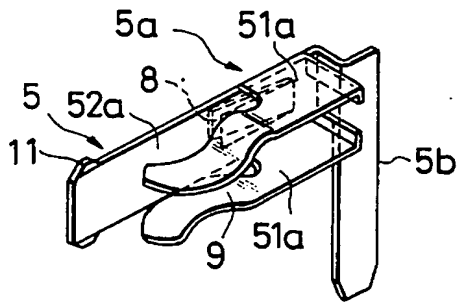
Claims 1, 2, 4-6 and 18 are rejected and claim 6 is objected to by the Examiner. Claim 1 has been amended, and claim 6 has been canceled. Claims 1, 2, 4, 5 and 18 remain pending in this application.

In the Office Action, claims 1, 2, 4, 6 and 18 are rejected under 35 U.S.C. § 103(a) as being unpatentable over U.S. Patent No. 4,752,241 to Matsuoka (hereinafter "Matsuoka") in view of U.S. Patent No. 4,680,505 to Funada (hereinafter "Funada") and further in view of U.S. Patent No. 5,035,655 to Hesse (hereinafter "Hesse"). Claim 5 is rejected under 35 U.S.C. § 103(a) as being unpatentable over Matsuoka in view of Funada and further in view of Hesse and in further view of U.S. Patent No. 2,988,725 to Vallee (hereinafter "Vallee"). Claim 6 was objected to, but this objection is now moot as claim 6 has been canceled.

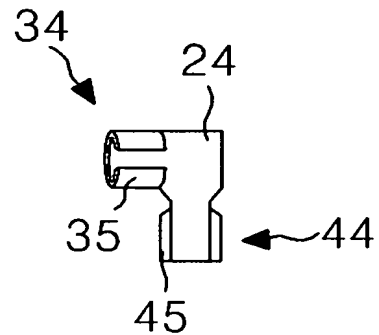
The rejection of claims 1, 2, 4 and 18 is respectfully traversed and reconsideration is requested. Claims 1, 2, 4 and 18 are allowable over the cited references in that each of these claims recites a combination of elements including, for example, "wherein the first curved wing and the second curved wing are integrally formed." None of the cited references including Matsuoka, Funada, and Hesse, singly or in combination, teaches or suggests at least this feature of the claimed invention.

The Examiner asserts that the elements including the lamp, wire, L-shaped connector, first curved wing and second curved wing claimed in claim 1 of the present invention correspond to the fluorescent lamp of Funada, the connector 3, the terminal member 5, and the bulb-side terminal 5a shown in Fig. 4 of Matsuoka, and the wire safety section 30 shown in Fig. 5 of Hesse, respectively. However, there is a difference between the first curved wing 35 of the present invention that is constructed to be fixedly pressed around the electrode 32 of the lamp 22 and the bulb-side terminal 5a of Matsuoka that has two squeezing parts 9 so that the bulb can be securely attached thereto. Please refer to below drawings.

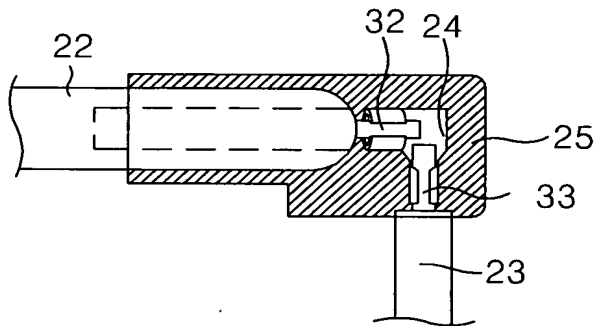
[Fig. 4 of Matsuoka]



[Fig. 4 of the present invention]

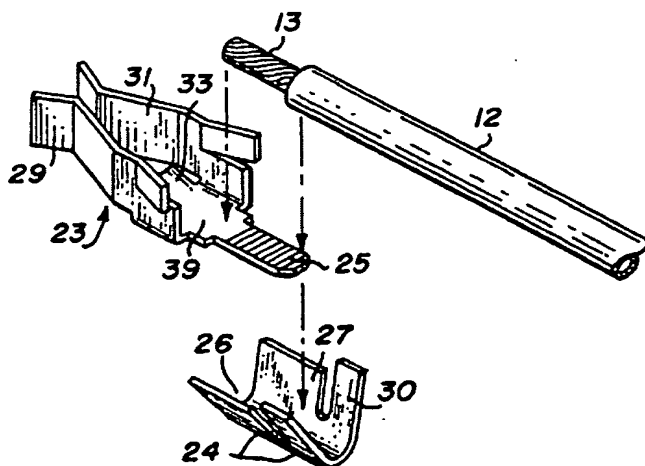


[Fig. 5 of the present invention]



Also, the second curved wing 45 of the present invention is constructed to be fixedly pressed around a portion of the wire 33, but the strap 24 of Hesse fixes the tab 25 and the bared conductor 13 so that they contact each other and the contact can be maintained as shown in below Fig. 5. That is, the second curved wing 45 of the present invention is integrally formed with the connector 24, but the strap 24 of Hesse is a separate member for coupling or fixing the tab 25 and the bared conductor 13. In particular, the wire safety section 27 of the strap 24 surrounds the wire arms section 12 (that is, insulator) of wire, and the main section 27 of the strap 24 surrounds the tab 25 and the bare end conductor 13.

[Fig. 5 of Hesse]



As a result, the second curved wing 45 is a portion of the connector directly connected to the conductor of the wire, and the strap 24 of Hesse having the wire safety section 30 is a separate member for coupling the wire and the bulb clamp 23. Accordingly, Applicant respectfully submits that claims 1, 2, 4 and 18 are allowable over the cited references.

Further, claim 5 is allowable over Matsuoka, Funada, and Hesse for the same reasons as claim 1, and Vallee fails to cure the deficiencies of Matsuoka, Funada, and Hesse. Therefore, claim 5 is allowable over the cited references.

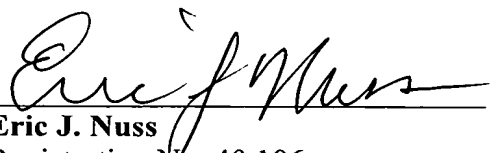
Applicants believe the foregoing amendments place the application in condition for allowance and early, favorable action is respectfully solicited.

If for any reason the Examiner finds the application other than in condition for allowance, the Examiner is requested to call the undersigned attorney at (202) 496-7500 to discuss the steps necessary for placing the application in condition for allowance. All correspondence should continue to be sent to the below-listed address.

If these papers are not considered timely filed by the Patent and Trademark Office, then a petition is hereby made under 37 C.F.R. § 1.136, and any additional fees required under 37 C.F.R. § 1.136 for any necessary extension of time, or any other fees required to complete the filing of this response, may be charged to Deposit Account No. 50-0911. Please credit any overpayment to deposit Account No. 50-0911. *A duplicate copy of this sheet is enclosed.*

Respectfully submitted,

Dated: 20 February 2007

By 
Eric J. Nuss
Registration No. 40,106
McKENNA LONG & ALDRIDGE LLP
1900 K Street, N.W.
Washington, DC 20006
(202) 496-7500
Attorneys for Applicant